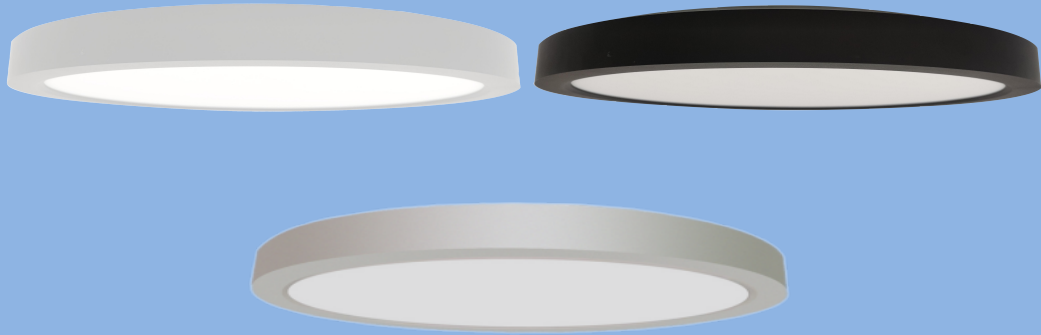


Generation



Features:

- Non-isolated driver, Nightlight option
- 3CCT/5CCT Adjustable
- Different trim available
- High Brightness with efficient LEDs and stable driver
- Easy and safety installation
- 120V, Smooth, Uniform Dimmable : 10%-100% dimming range, compatible with most household triac LED dimmers for smooth and flicker-free operation.
- 5 years warranty



Perfect LED Mounting

Uniform Light Distribution

Black dots and shadow on the light, un-uniform lighting, which are the headache in the LED panel field.

The LED Light Strip



SMT technology, ensuring accurate positions for LEDs on PCB
 Good quality diffuser plate
 Stable design for the whole structure
 Above ensures uniform lighting, no black dots and shadow.

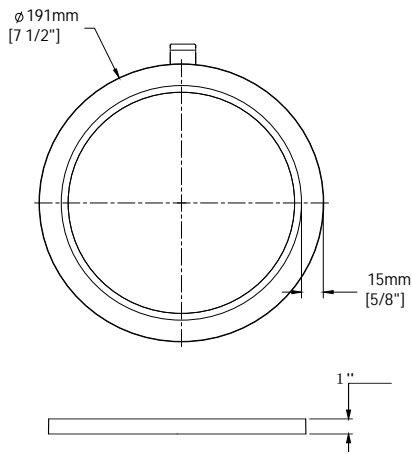


Adjust color of light with integrated switch

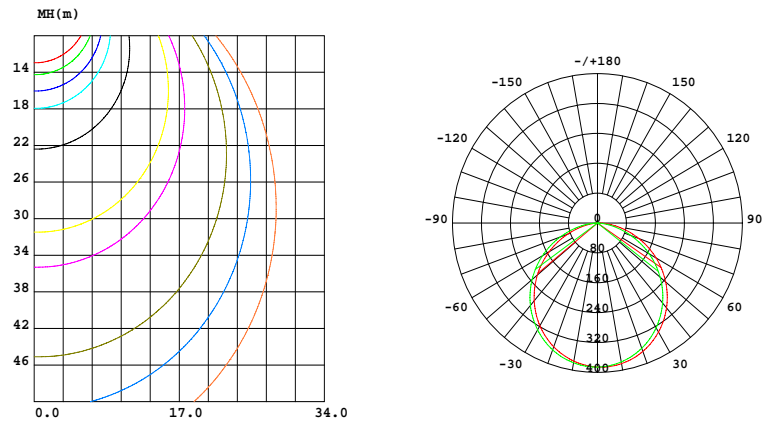
- 3000K
- 4000K
- 5000K



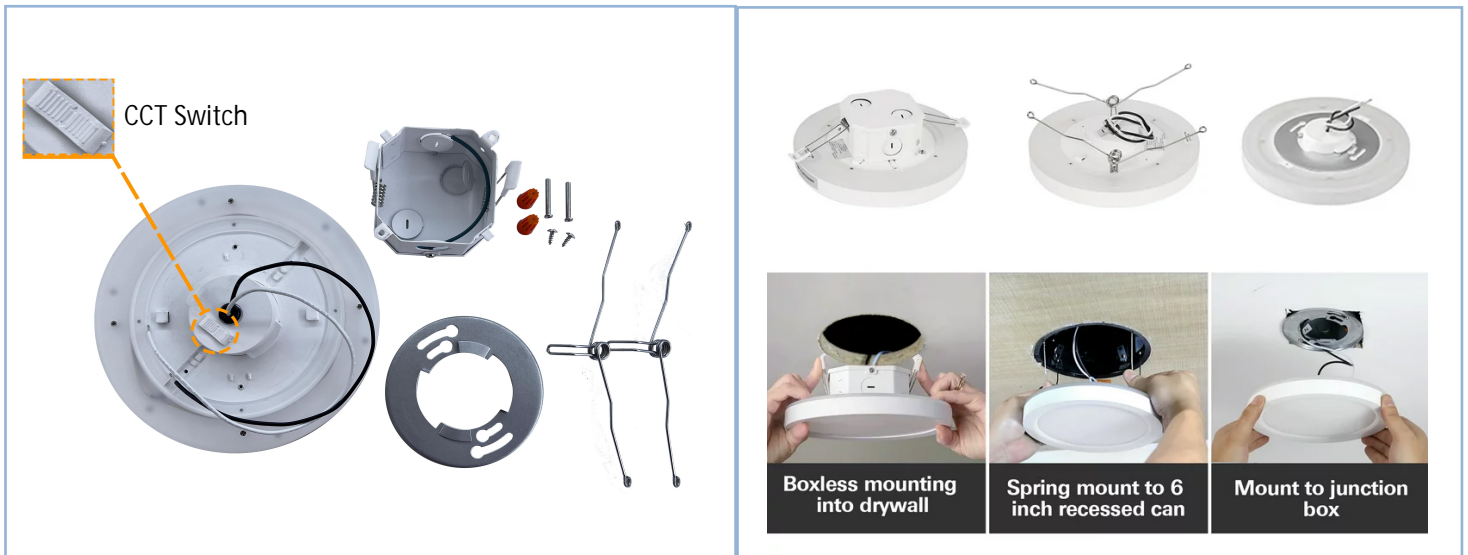
Dimensions



Light Distribution

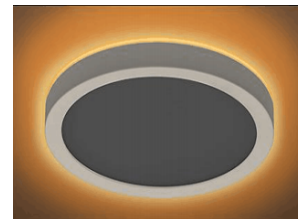


Three Easy Installation Methods All Mounting Hardware Included

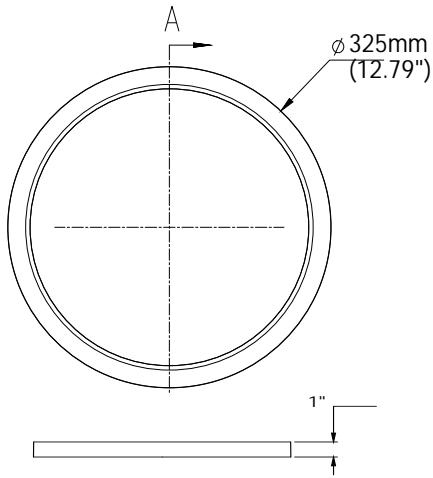


Specifications:

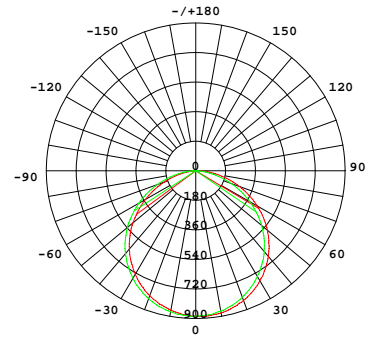
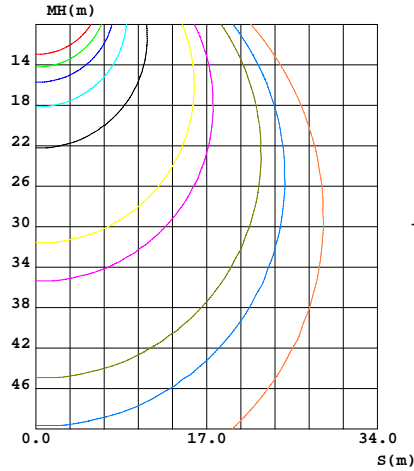
Model	RCL7.5-6CT
Power	15W+3W
CCT	3000K 4000K 5000K + 2000K
Brightness	1200LM
LED Type	SMD2835
Voltage	120VAC
Power Efficiency	≥0.9
RA	≥80
Dimension	7.5"x 1"
Dimmable	Yes / Triac



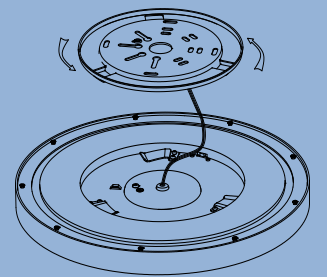
Dimensions



Light Distribution



Easy 3 steps insallation



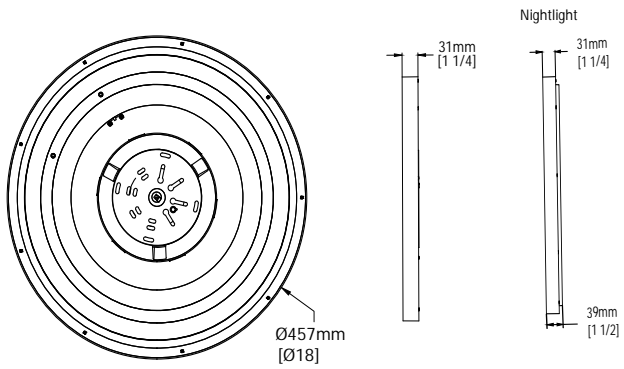
1. attach the mounting bracket
2. Connect the wire
3. Rotate along the arrow of the lamp body

Specifications:

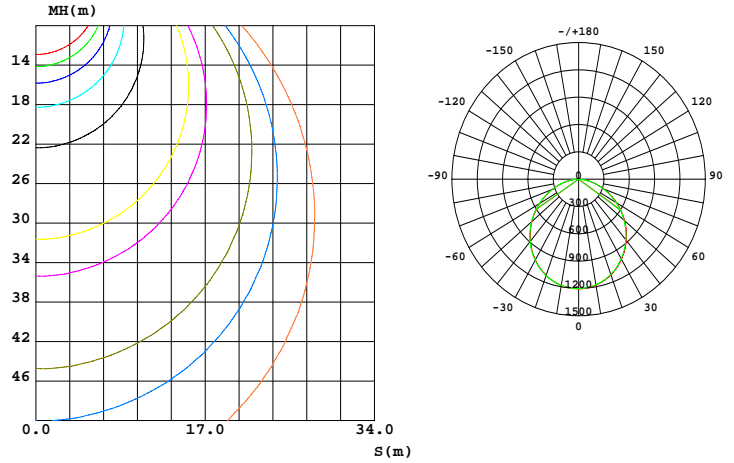
Model	RCLR13-3CT	RCLR13-6CT
Power	24W	24W+4W
CCT	3000K4000K5000K	3000K4000K5000K+2000K
Brightness	2400LM	2400LM
LED Type	SMD2835	SMD2835
Voltage	120VAC	120VAC
Power Efficiency	≥0.9	≥0.9
RA	≥80	≥80
Dimension	12.79"x 1"	12.79"x 1"
Dimmable	Yes / Triac	Yes / Triac



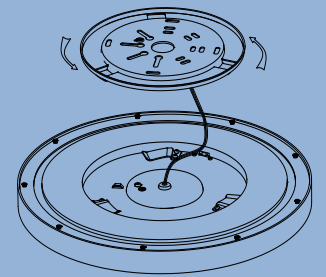
Dimensions



Light Distribution



Easy 3 steps insallation



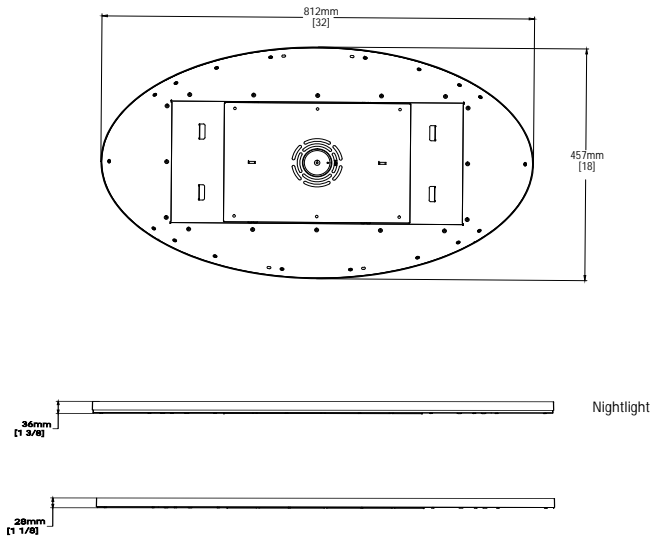
1. attach the mounting bracket
2. Connect the wire
3. Rotae along the arrow of the lamp body

Specifications:

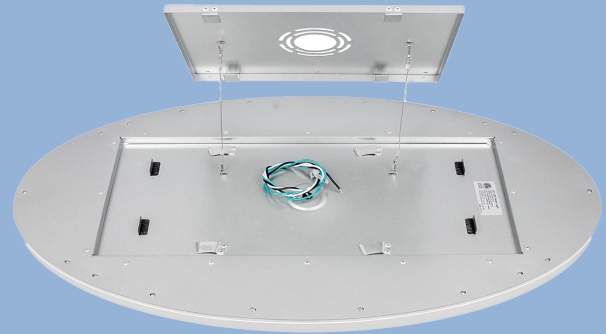
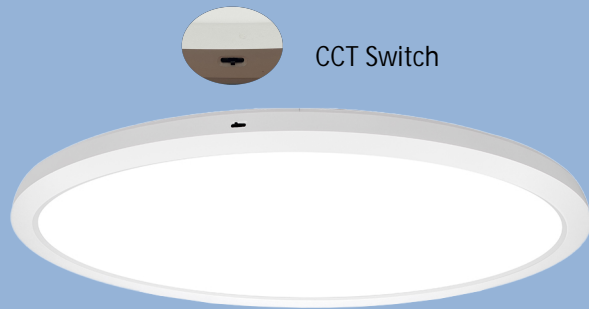
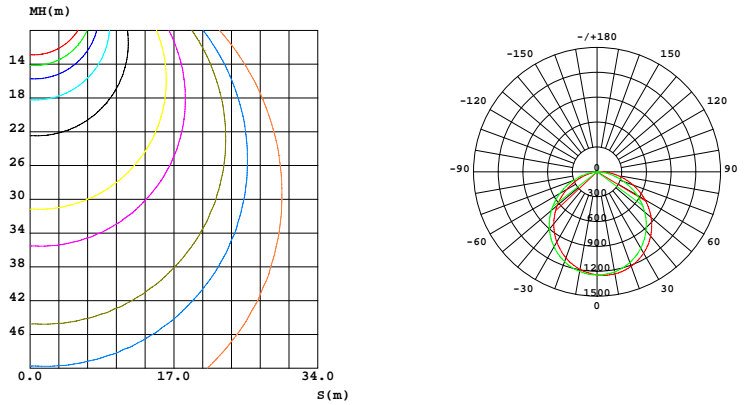
Model	RCLR18-3CT	RCLR18-6CT
Power	32W	32W+4W
CCT	3000K4000K5000K	3000K4000K5000K+2000K
Brightness	3200LM	3200LM
LED Type	SMD2835	SMD2835
Voltage	120VAC	120VAC
Power Efficiency	≥0.9	≥0.9
RA	≥80	≥80
Dimension	18"x 1 1/4"	18"x 1 1/2"
Dimmable	Yes / Triac	Yes / Triac



Dimensions



Light Distribution



Specifications:

Model	RCLR32-3CT	RCLR32-6CT
Power	38W	38W+4W
CCT	3000K4000K5000K	3000K4000K5000K+2000K
Brightness	3800LM	3800LM
LED Type	SMD2835	SMD2835
Voltage	120VAC	120VAC
Power Efficiency	≥0.9	≥0.9
RA	≥80	≥80
Dimension	32"x 18" x 1 1/8"	32"x 18" x 1 3/8"
Dimmable	Yes / Triac	Yes / Triac

